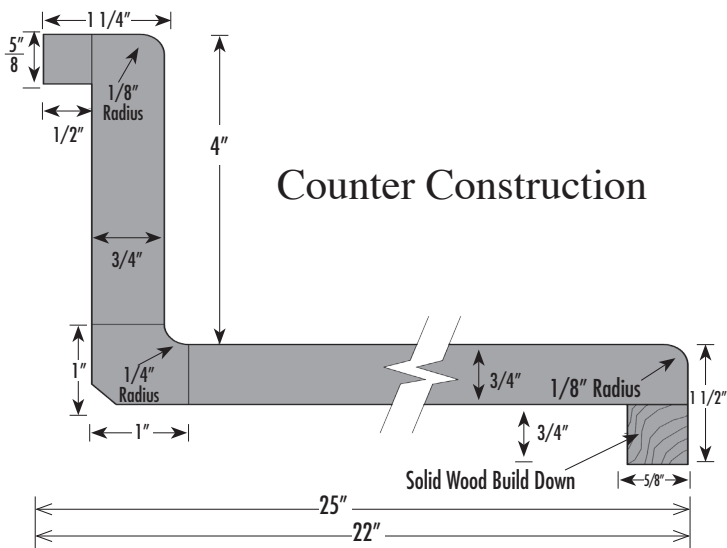
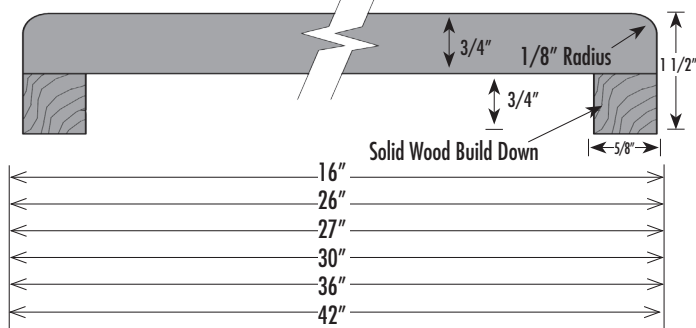


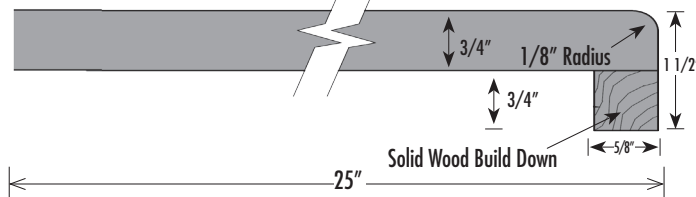
Solido



Bar Availability



Deck



General Information

- ❖ The front build-down strip is solid kiln-dried hardwood to resist moisture around sink and over dishwasher where steam escapes.
- ❖ The simple stone look will appeal to both homeowners and commercial millwork houses. The 4" height back splash will help in remodeling.
- ❖ The 1/8" radius will give sharp clean look on the nose and backsplash.
- ❖ The cove has a 1/4" radius for easy clean-up.
- ❖ The back has a 1/2" scribe to provide easy fit for out-of-square or uneven walls, allowing for more installation tolerances.
- ❖ Loose backsplashes are available for deck tops.

**Cullman Cabinet
& Supply**
C O M P A N Y
Quality You Can Depend On!

(256) 734-1540 Fax: 256-734-1021
P.O. Box 1150 / 1735 Childhaven Road N.E.
Cullman, Alabama 35055-5901
www.cullmancabinet.com

CULLMAN HAS BEEN PRODUCING COUNTERTOPS SINCE 1954

MAKING US THE OLDEST POST-FORMING PLANT IN THE SOUTHEAST. WITH 8 SPECIAL PROFILES AND THE REGION'S LARGEST IN-HOUSE INVENTORY WE ARE EQUIPPED AND READY TO FILL ALL YOUR LAMINATE COUNTERTOP NEEDS.

Standards and are MADE IN U.S.A.